

Opetopic Grammars

Eric Finster

January 2, 2019

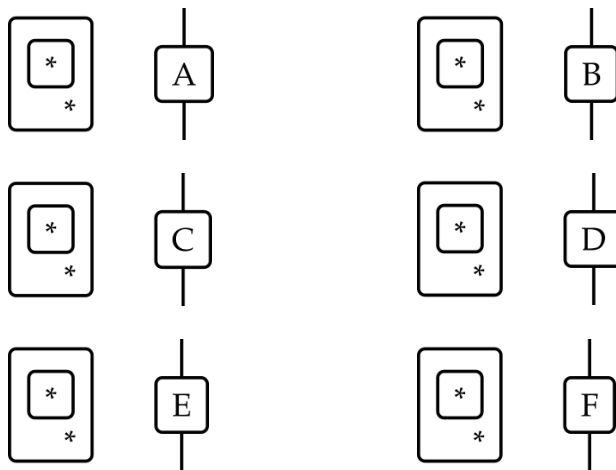
A opetopic grammar for the language

$$\{a^k b^k c^k d^k \mid k \geq 1\}$$

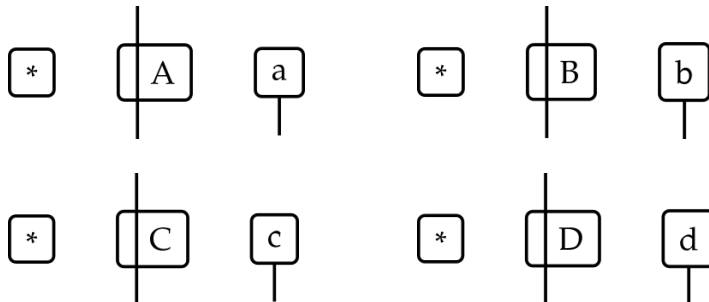
Dimension 0

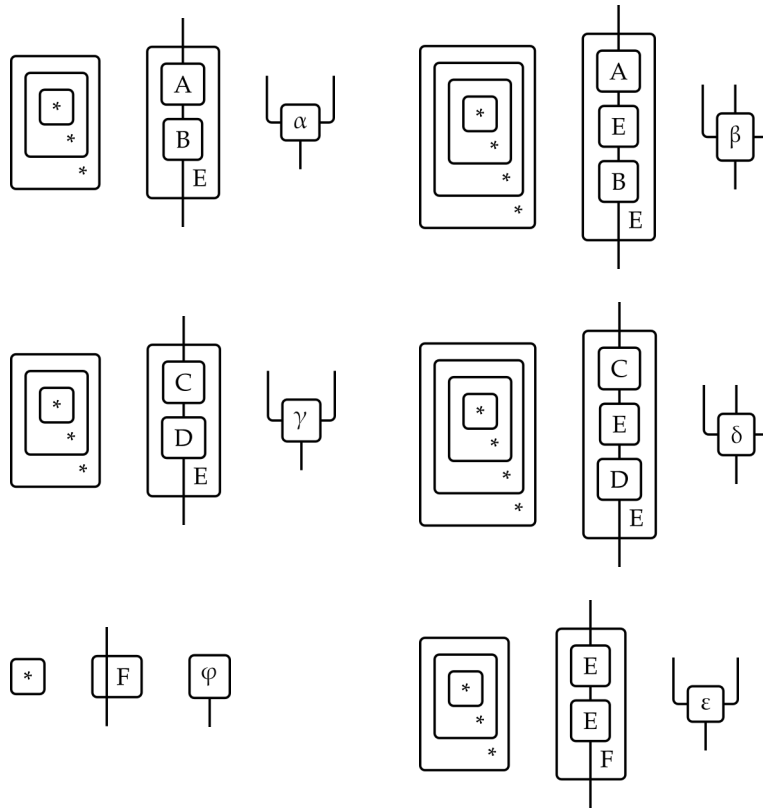


Dimension 1

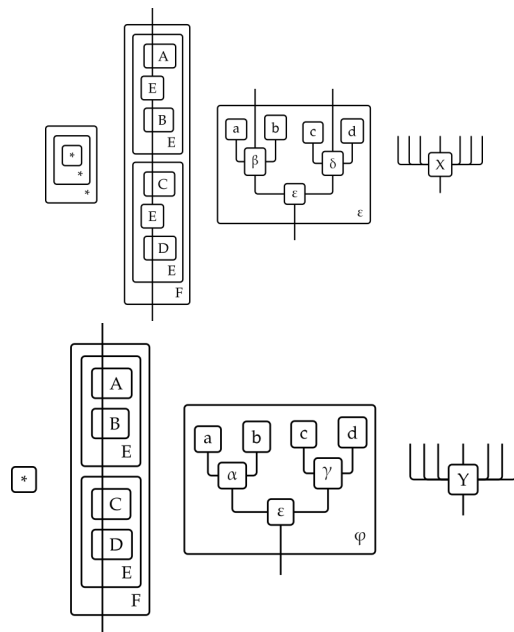


Dimension 2





Dimension 3



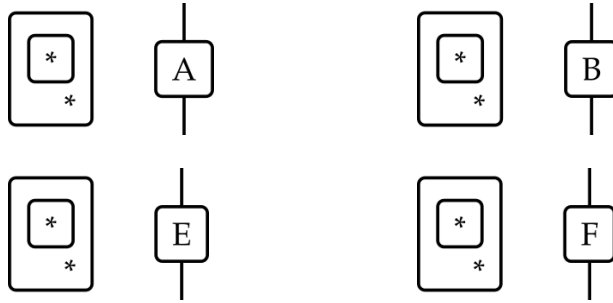
An opetopic grammar for the language

$$\{ww \mid w \in \{a, b\}^*\}$$

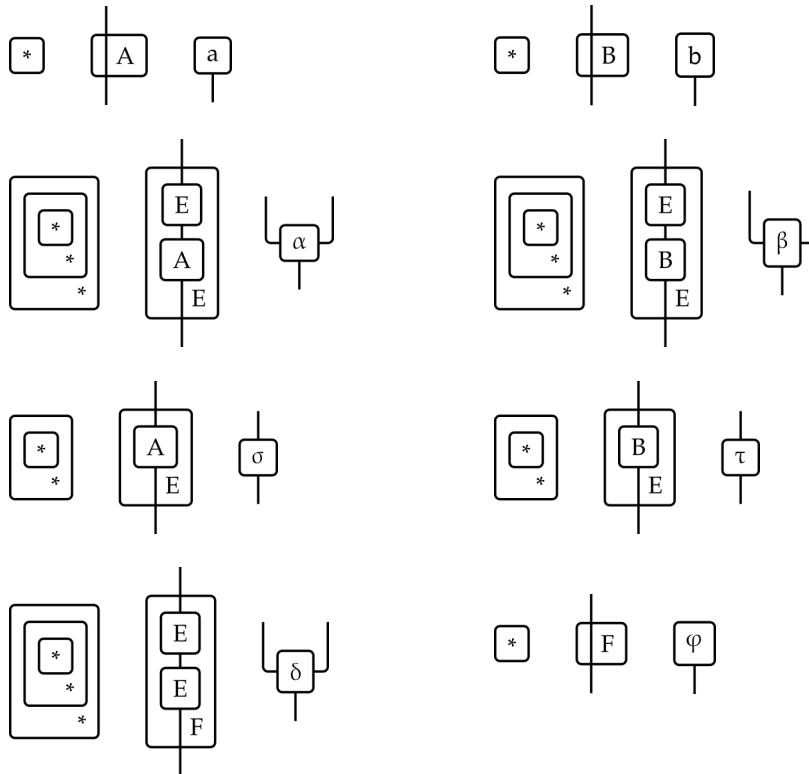
Dimension 0



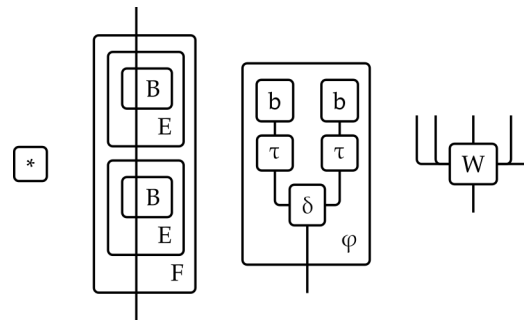
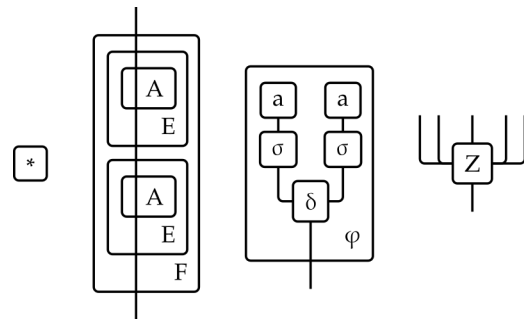
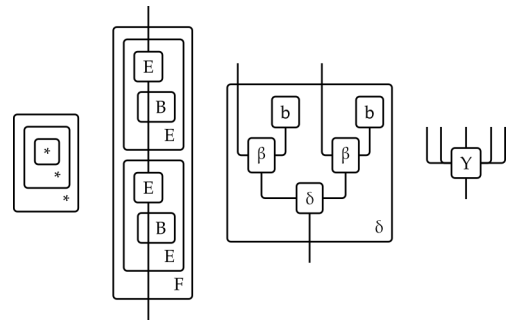
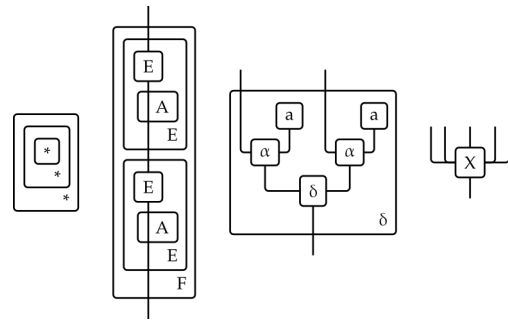
Dimension 1



Dimension 2



Dimension 3



An Example Parse

